



The opening distances and spacing for your Shadowspec Retreat™ are important to ensure walkways and tables are cleared when opening and closing your umbrella.

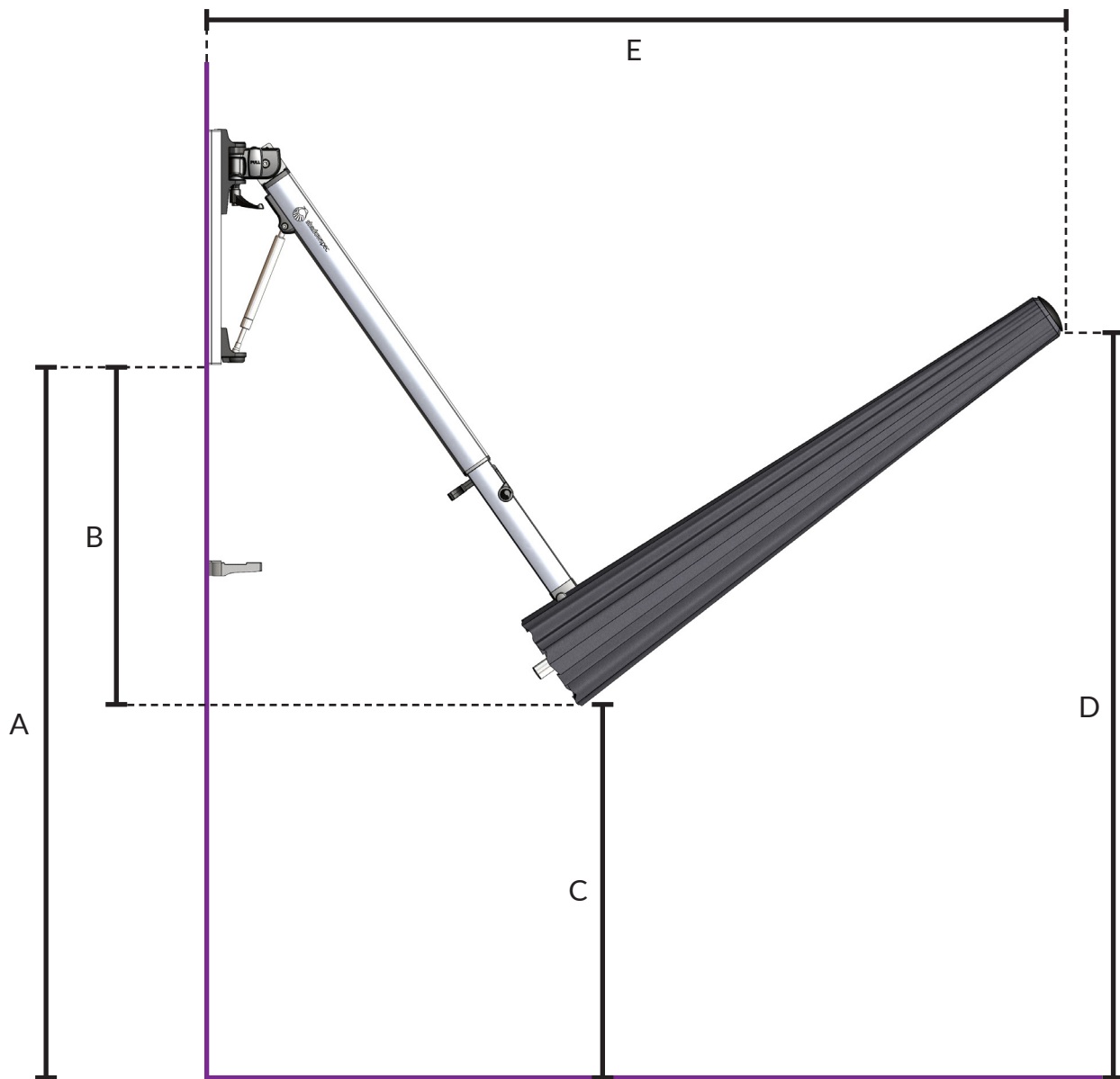


Diagram Legend		2.7m	9'
A	Ground to bottom of Wall Bracket	1650mm	5'5"
B	Bottom of Wall Bracket to lowest swing height	768mm	2'6"
C	Floor to lowest swing height	882mm	2'11"
D	Floor to Top Cap at lowest swing	1725mm	5'8"
E	Wall to Top Cap at lowest swing	1919mm	6'4"

Note: All sizings and conversions are +/- 2.5mm / 2/32" and are subject to change without notice.

We recommend commercial installations use metric measurement for any umbrella spacing to ensure accuracy.

The Above dimensions make the assumption that you have installed your umbrella at the recommended installation height on your wall.

If you have installed your retreat lower or higher than the recommendations you will need to add that difference to the above measurements.