

# WaveShade

Retractable Shade Cover



Fully customisable, the Wave Shade offers you the best of both worlds, sun when you want it and shade when you need it. The Wave Shade is made up of a series of billows which helps it retract and gives it an eloquent look. Each shade is custom-made to ensure a perfect fit over your outdoor space and can be attached to pergolas, homes, walls and poles.





## Highlights

- > Superior style with a unique appearance
- > User friendly design makes it a breeze to use
- > Ultimate versatility with easy retraction system
- > Robust componentry and shade materials
- > Custom-built to perfectly fit your property
- > Marine grade polished stainless steel fixings
- > Features Soltis Lounge 96 fabric designed by Serge Ferrari



FABRIC WARRANTY



FRAME WARRANTY

## Canopy Colours

white	red
new shea	caramel
off white	daybreak
vanilla	citrus
sandy beige	lime blossom
cloud	acapulco
pebble	atlantis
taupe	midnight blue
bronze	platinum
jungle	anthracite
	black

Colours shown indicative only.

## Features

### Polished Stainless Steel Fixings

High performance for smooth operation and premium finish



### Retractable Operation

Retract when you want the sun and extend to provide shade



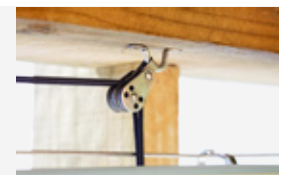
### Aluminium Retraction Pole

Hooks to steel cleat on the front spar for operation



### Integrated Cord Retraction

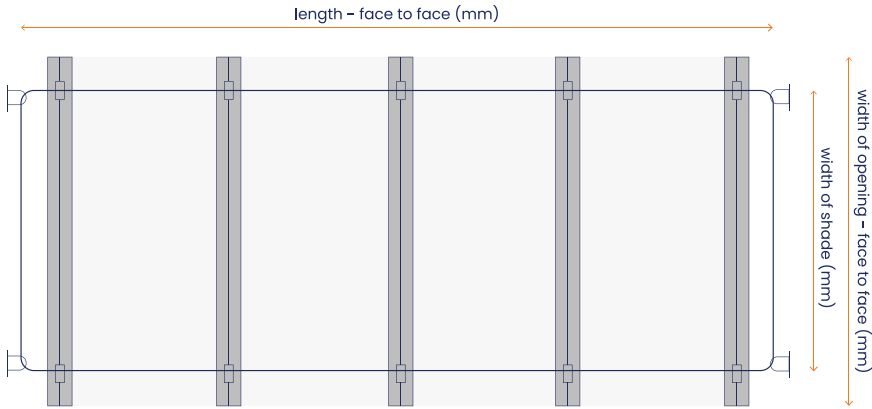
Alternative pulley retraction system that works just like a blind



# Measurements

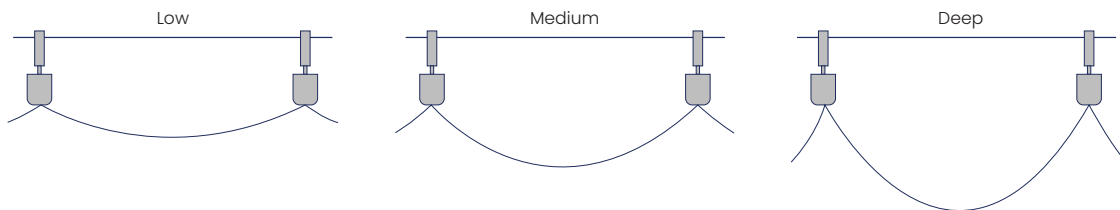
## Dimensions

Basic length and width measurements



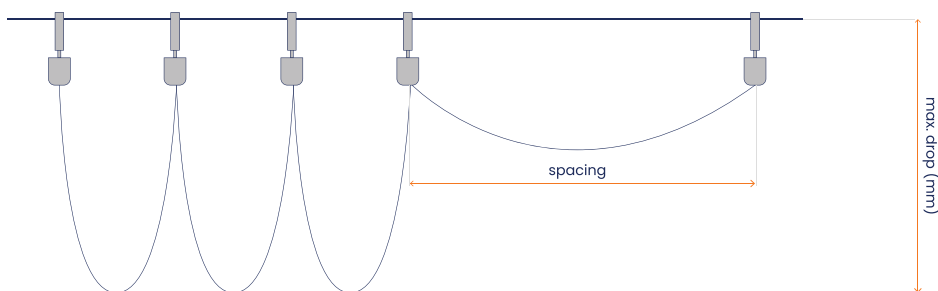
## Billow (Optional)

How low the material will hang when Wave Shade is extended  
(Choice of low, medium or deep billow)



## Max Drop (Optional)

How low the material will hang when Wave Shade is extended  
(Choice of low, medium and deep billow)



# About the manufacturer

Wave Shade is a premium shade solution designed, manufactured and produced by NuRange Products. They operate from a purpose-built plant to produce robust and attractive products that are fit for purpose. The fabrics used in their Sails may not be the cheapest, but they do have the best guarantees in the industry, and will last for much longer than alternatives that are available.

